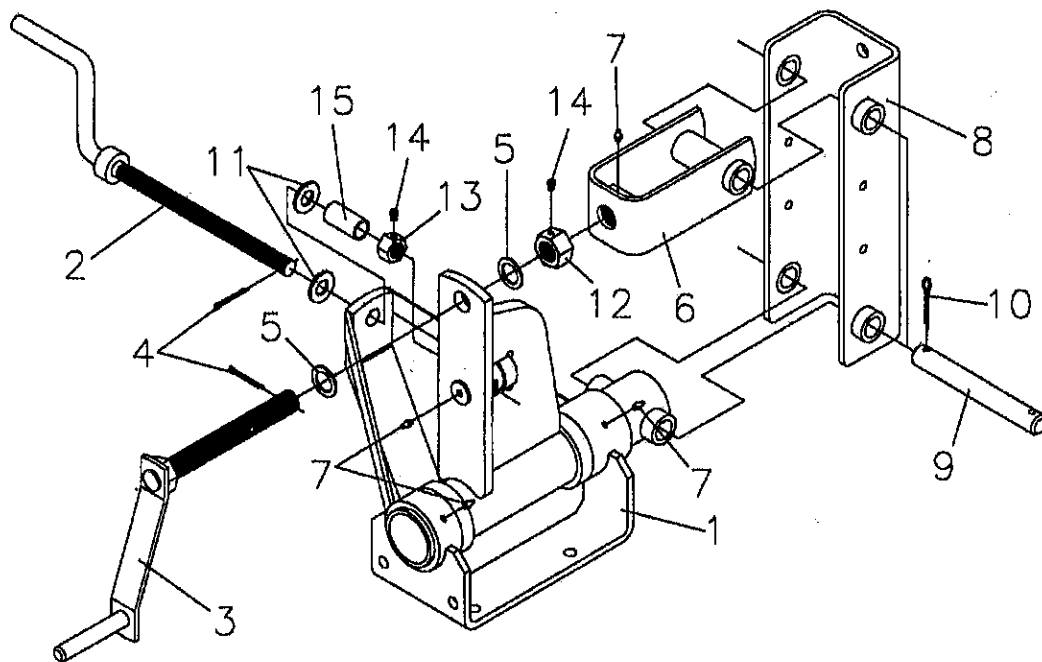


ADJUSTABLE MANUAL BASE
MOUNTING PACKAGE
PARTS DRAWING AND LIST



Ref. No.	Part No.	Description	No. Req'd.
1	814438	Manual Pivot Weldment	1
2	814450	Side Tilt Crank (3/4"-10NC Threads)	1
3	814453	Fore & Aft Crank (1"-8NC Threads)	1
4	2504015	Cotter Pin 1/8" x 1 1/2"	2
5	2504110	Machinery Bushing 1" ID x 14 Ga.	2
6	814457	Clevis Weldment	1
7	2504049	Drive Zerk 5/16"	4
8	814460	Support Channel Weldment	1
9	830309	Lift Pin 1" Dia. x 8" Lg.	2
10	2504068	Cotter Pin 1/4" x 1 3/4"	4
11	2504149	Machinery Bushing 3/4" ID x 10 Ga.	2
12	814463	Nut 1"-8NC Full Hex (Drilled & Tapped)	1
13	814425	Nut 3/4"-10NC Full Hex (Drilled & Tapped)	1
14	2503196	Set Screw 1/4"-20NC x 1/4"	2
15	590027	Toplink Bushing (AK-54)	1